

RAIL SYSTEM

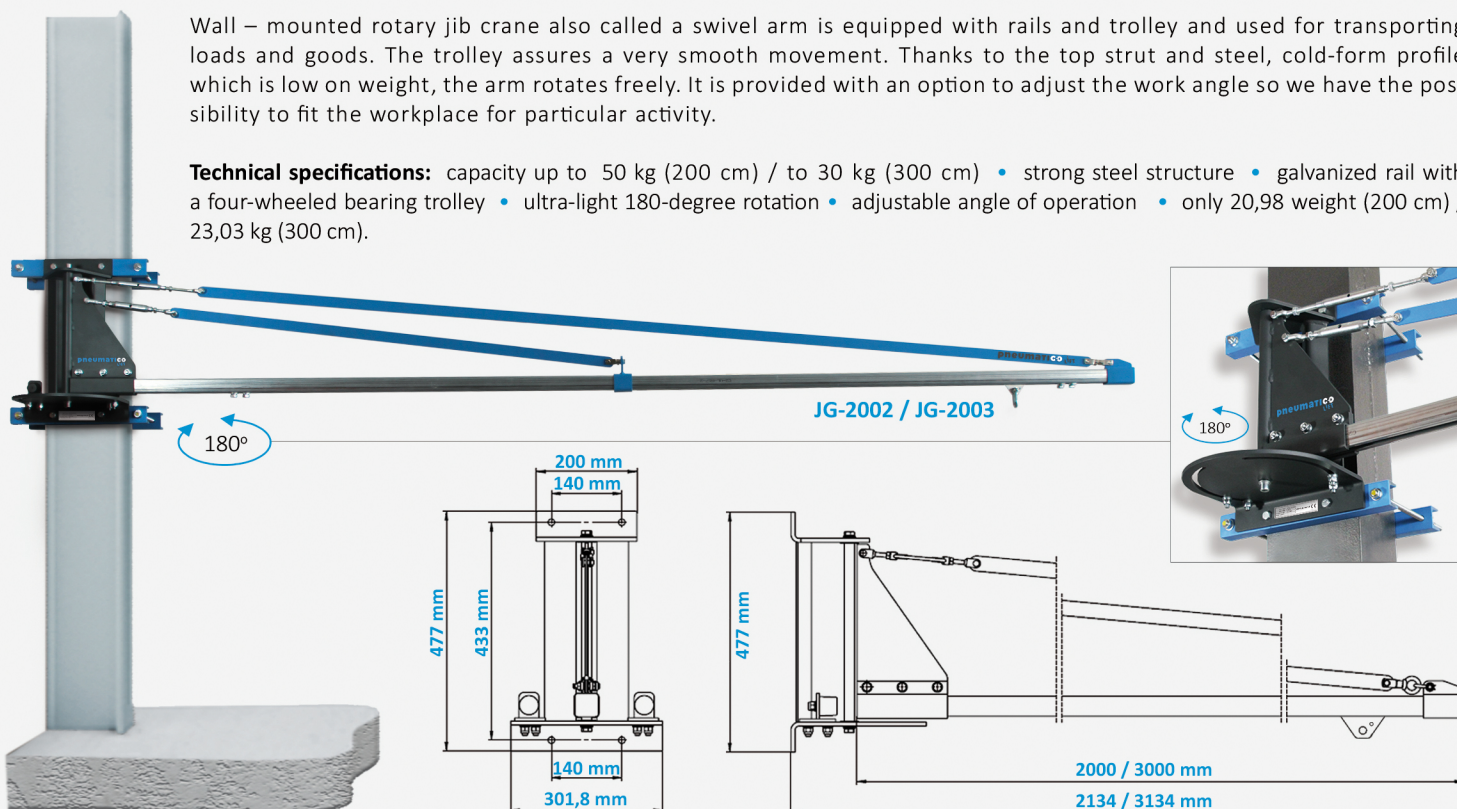
All elements of **Pneumatico LIFT** rail system are produced with a great concern for ergonomics and the safety of work. A selection of various components for that system gives the possibility to create a simple and safe suspension for pneumatic and power tools.



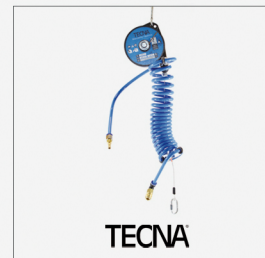
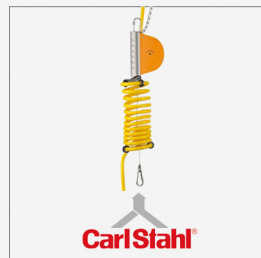
WALL-MOUNTED ROTARY JIB CRANE – 2 AND 3 METERS LONG

Wall – mounted rotary jib crane also called a swivel arm is equipped with rails and trolley and used for transporting loads and goods. The trolley assures a very smooth movement. Thanks to the top strut and steel, cold-form profile which is low on weight, the arm rotates freely. It is provided with an option to adjust the work angle so we have the possibility to fit the workplace for particular activity.

Technical specifications: capacity up to 50 kg (200 cm) / to 30 kg (300 cm) • strong steel structure • galvanized rail with a four-wheeled bearing trolley • ultra-light 180-degree rotation • adjustable angle of operation • only 20,98 weight (200 cm) / 23,03 kg (300 cm).



Spring Balancers are great support on every working stand where pneumatic tools are indispensable. Thanks to the suspension on rope they create counterbalance and reduce the total weight of the tool what prevents the operator's fatigue and makes it easy to manoeuvre. You can find balancers with a spring – ratchet system with capacity from **0,1 kg to 300 kg**, with rope from **1,6 to 3,0 m**. Balancers suit a wide range of applications.



PU SPIRAL TUBE FOR TECNA BALANCERS

P931X and **P932X** are kits exclusively designed to feed the suspended pneumatic tools with compressed air. The material is light and ergonomic. The rope is placed inside the spiral tube. The grips might be installed to both old and new TECNA balancers without any interference in its internal housing.

Kit P931X includes:

- Polyurethane spiral tube without fitting
- A set of steel galvanized grips
- One straight plug nipple 10 x 6,5 mm ¼" external thread
- One angular rotary plug nipple 10 x 6,5 mm ¼" external thread
- One male Quickcoupling ¼" internal thread
- One female Quickcoupling ¼" internal thread

Kit P932X includes:

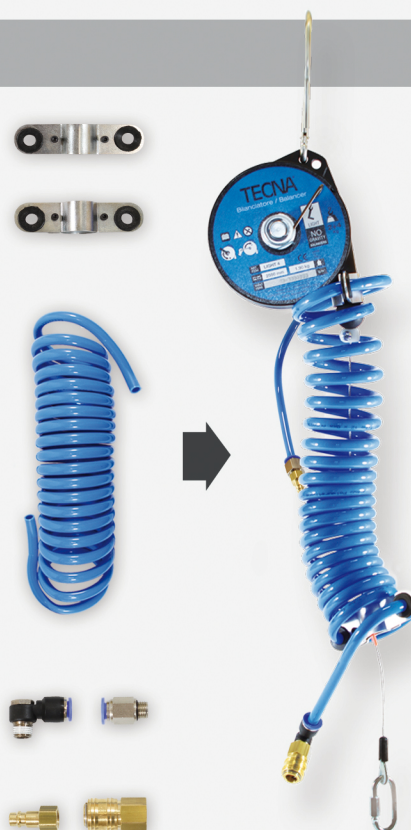
- Polyurethane spiral tube without fitting
- A set of steel galvanized grips
- One straight plug nipple 12 x 8 mm ¼" external thread
- One angular rotary plug nipple 12 x 8 mm ¼" external thread
- One male Quickcoupling ¼" internal thread
- One female Quickcoupling ¼" internal thread

Kit P931X fits:

- TECNA 9311, 9312, 9313

Kit P932X fits:

- TECNA 9320, 9321, 9322, 9323
- TECNA Light 4, Light 6, Light 8



RED ROOSTER AIR HOISTS



Red Rooster Air Chain Hoists have been produced by Toku in Japan. Japanese production believes in quality so the production process uses only top quality materials. All the elements are produced with the highest precision. Red Rooster Air Chain Hoists are extremely durable therefore they are an excellent choice for intensive work in an industrial environment. Load capacity from **0,125 to 100 tons**.

