

# TECNA<sup>®</sup>

Balancing your job

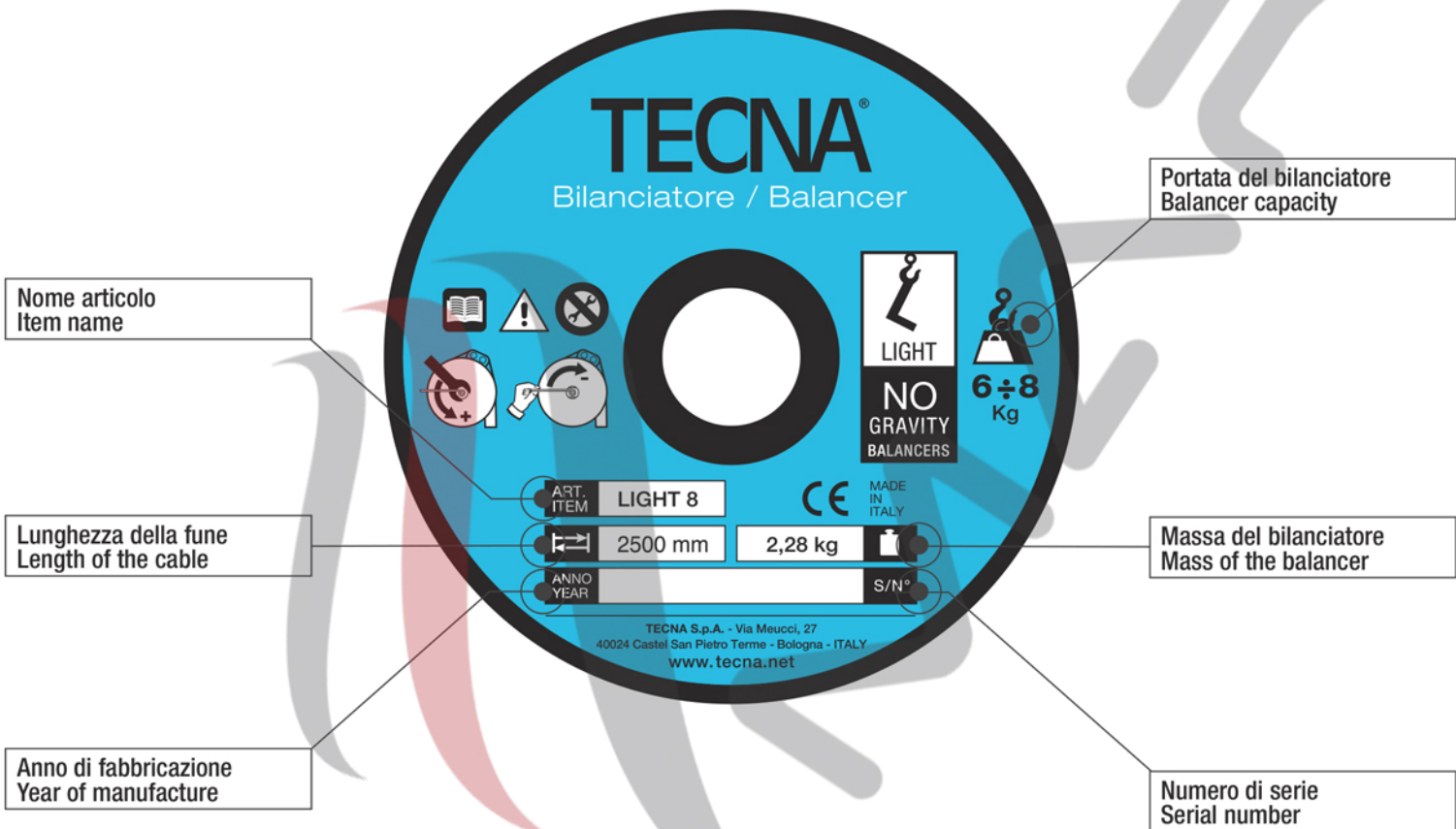


TECNA produce bilanciatori dal 1972

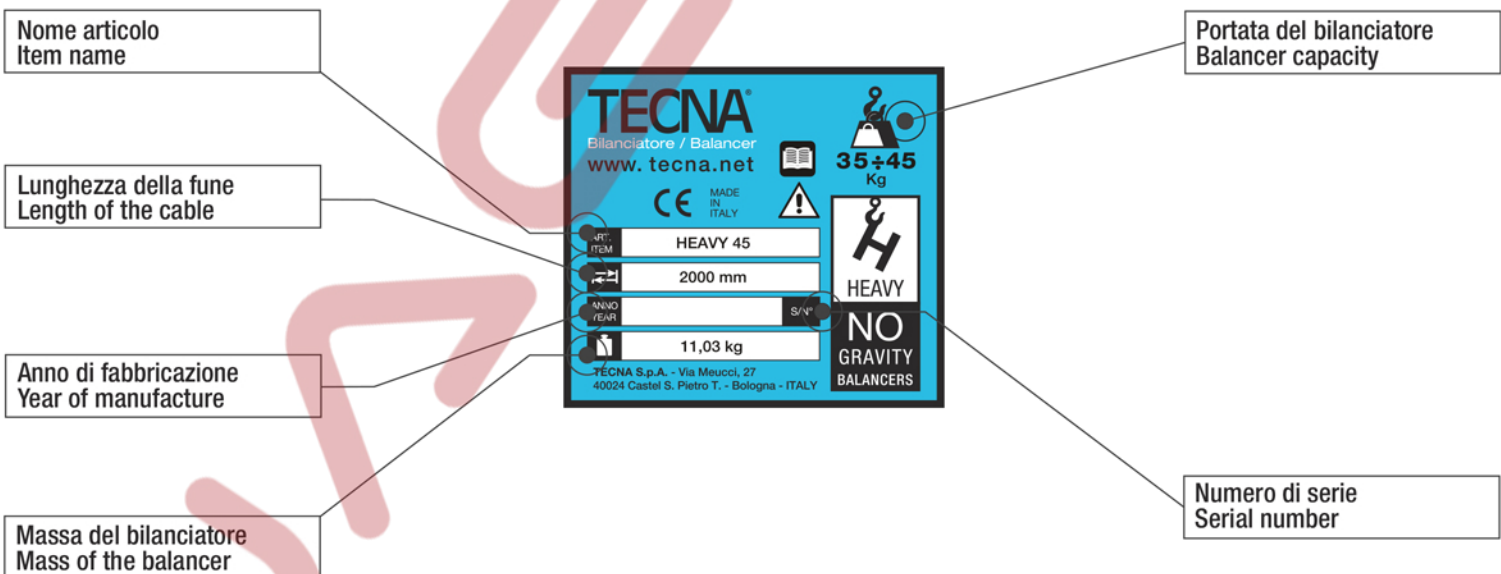
bilanciatori

balancers

TECNA has been producing balancers since 1972



## Balancing your job



### Linea Bilanciatori | Balancing linee



# X-LIGHT

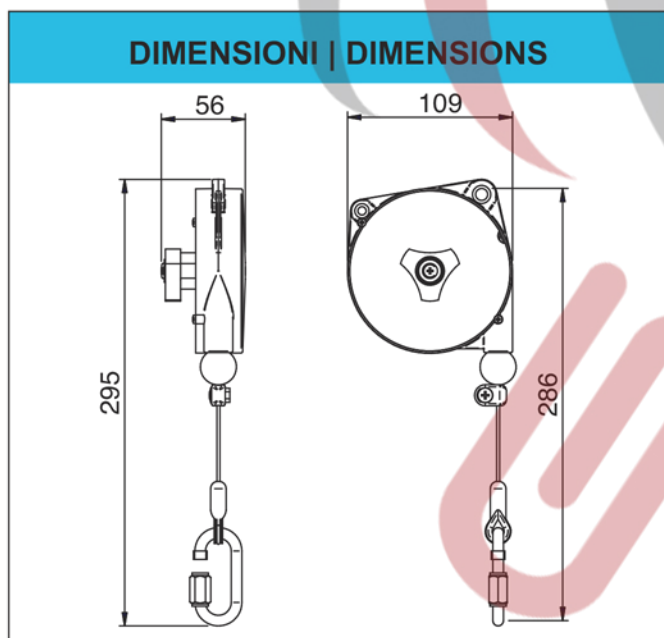
## Bilanciatore Balancer




CE MADE IN ITALY



2500 mm  
Inox

0.2÷3 Kg



ART. ITEM	 Kg	 mm	 Kg
X-LIGHT 0.5	0.2÷0.5	2500	0.43
X-LIGHT 1	0.4÷1	2500	0.46
X-LIGHT 2	1÷2	2500	0.49
X-LIGHT 3	2÷3	2500	0.64

DIMENSIONI SCATOLA   DIMENSIONS BOX				
	X-LIGHT 0.5	X-LIGHT 1	X-LIGHT 2	X-LIGHT 3
kg	0,50	0,60	0,60	0,70
mm	160x120x60	160x120x60	160x120x60	160x120x60

# LIGHT

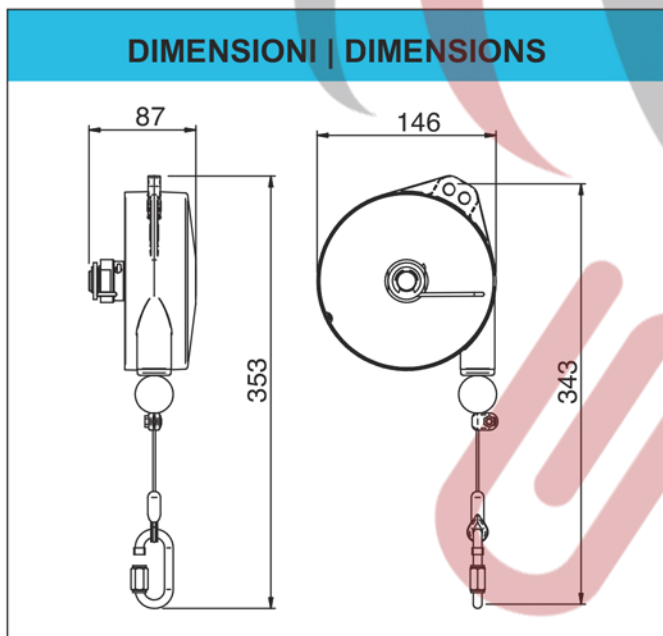
# Bilanciatore Balancer

CE MADE IN ITALY



2500 mm  
Inox

2÷8 Kg



ART. ITEM	Kg	mm	Kg
LIGHT 4	2÷4	2500	1.90
LIGHT 6	4÷6	2500	1.98
LIGHT 8	6÷8	2500	2.28

**DIMENSIONI SCATOLA | DIMENSIONS BOX**

	LIGHT 4	LIGHT 6	LIGHT 8
kg	2.1	2.1	2.5
mm	200x155x90	200x155x90	200x155x90

# LIGHT

# Bilanciatore Balancer


CE MADE IN ITALY

3

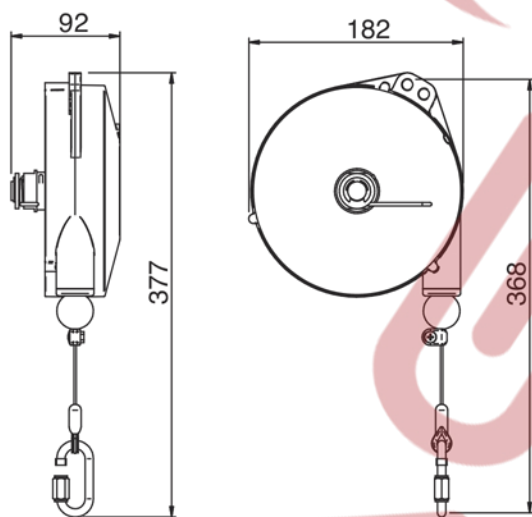
  
LIGHT  
NO  
GRAVITY  
BALANCERS






 **2500 mm**  
**Inox**

 **8÷12 Kg**

## DIMENSIONI | DIMENSIONS



ART. ITEM	 Kg	 mm	 Kg
<b>LIGHT 10</b>	<b>8÷10</b>	<b>2500</b>	<b>3.43</b>
<b>LIGHT 12</b>	<b>10÷12</b>	<b>2500</b>	<b>3.58</b>

## DIMENSIONI SCATOLA | DIMENSIONS BOX

	LIGHT 10	LIGHT 12
kg	3.70	3.8
mm	260x205x95	260x205x95

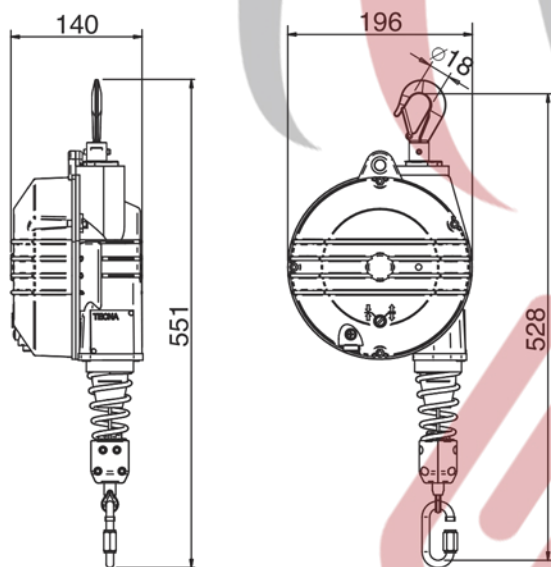
# MEDIUM

# Bilanciatore Balancer

CE MADE IN ITALY



## DIMENSIONI | DIMENSIONS



2000 mm  
Inox

4÷25 Kg

ART. ITEM	Kg	mm	Kg
MEDIUM 7	4÷7	2000	4.94
MEDIUM 10	7÷10	2000	5.30
MEDIUM 14	10÷14	2000	5.67
MEDIUM 18	14÷18	2000	6.26
MEDIUM 22	18÷22	2000	5.89
MEDIUM 25	22÷25	2000	6.53

## DIMENSIONI SCATOLA | DIMENSIONS BOX

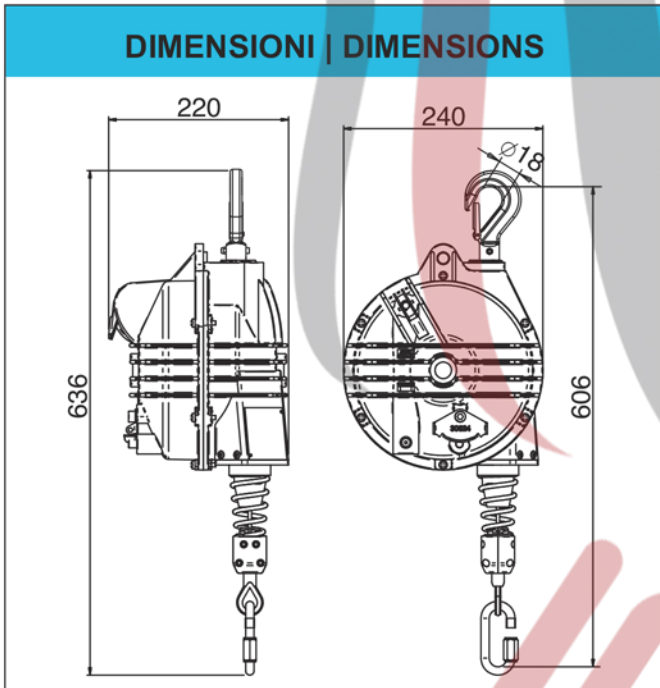
	MEDIUM 7	MEDIUM 10	MEDIUM 14	MEDIUM 18	MEDIUM 22	MEDIUM 25
kg	6.00	6.40	6.80	7.40	7.00	7.60
mm	465x225x185	465x225x185	465x225x185	465x225x185	465x225x185	465x225x185

# HEAVY

# Bilanciatore Balancer

CE MADE IN ITALY

5



2000 mm  
Inox

10÷75 Kg

ART. ITEM	Kg	mm	Kg
HEAVY 15	10÷15	2000	8.73
HEAVY 20	15÷20	2000	9.01
HEAVY 25	20÷25	2000	9.29
HEAVY 30	25÷30	2000	10.14
HEAVY 35	30÷35	2000	10.14
HEAVY 45	35÷45	2000	11.03
HEAVY 55	45÷55	2000	11.03
HEAVY 65	55÷65	2000	11.87
HEAVY 75	65÷75	2000	12.87

**DIMENSIONI SCATOLA | DIMENSIONS BOX**

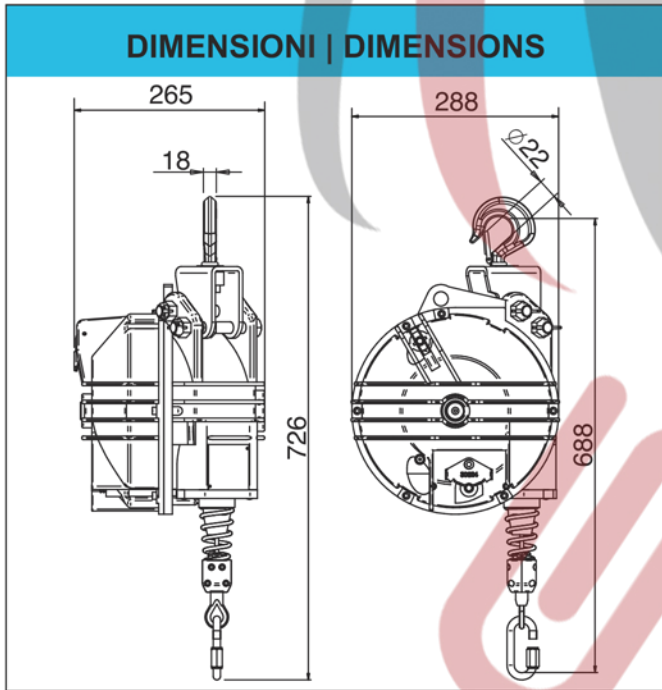
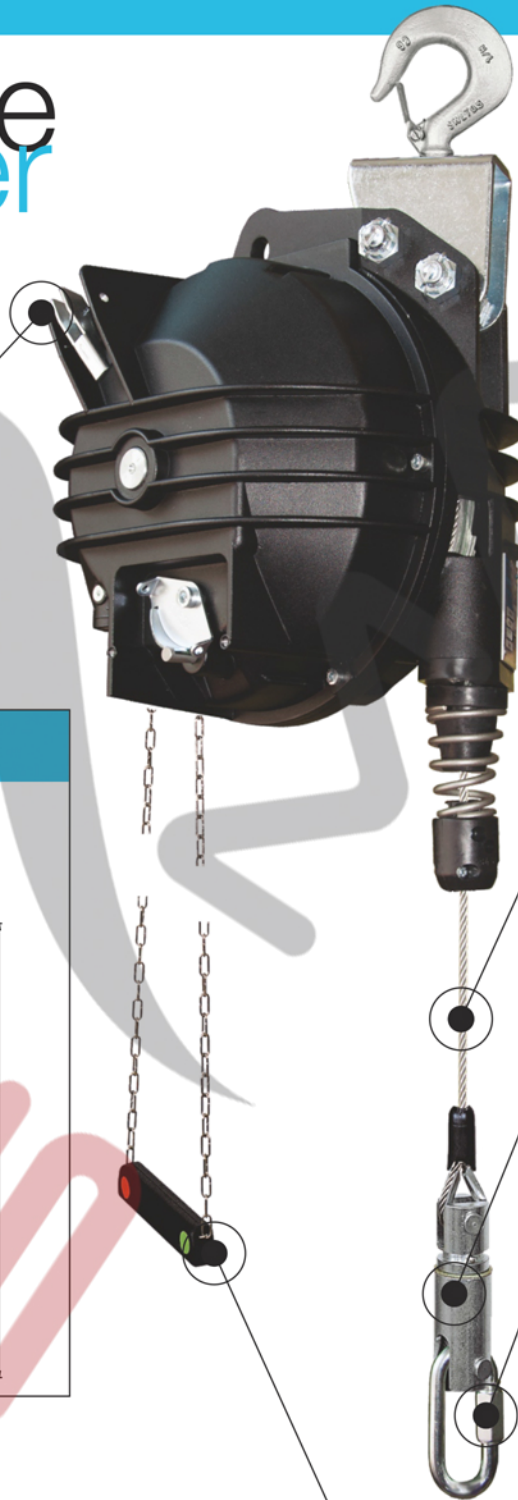
	HEAVY 15	HEAVY 20	HEAVY 25	HEAVY 30	HEAVY 35	HEAVY 45	HEAVY 55	HEAVY 65	HEAVY 75
kg	11.80	12.10	12.40	13.30	13.30	14.10	14.10	15.00	15.80
mm	455x270x280	455x270x280	455x270x280	455x270x280	455x270x280	455x270x280	455x270x280	455x270x280	455x270x280

# X-HEAVY

## Bilanciatore Balancer

CE MADE IN ITALY

6



3000 mm  
Inox

**OPZIONE RI**  
Dispositivo di sospensione con rotazione e isolamento.  
**OPTION RI**  
Rotary and insulating device.

15÷35 Kg

**OPZIONE B**  
Dispositivo di comando dal basso per bloccare e sbloccare il carico.  
**OPTION B**  
Locking-unlocking device with control from the floor.

ART. ITEM	Kg	mm	Kg
X-HEAVY 20	15÷20	3000	19.67
X-HEAVY 25	20÷25	3000	19.67
X-HEAVY 35	25÷35	3000	21.11

**DIMENSIONI SCATOLA | DIMENSIONS BOX**

	X-HEAVY 20	X-HEAVY 25	X-HEAVY 35
kg	22.70	22.70	24.10
mm	600x320x330	600x320x330	600x320x330

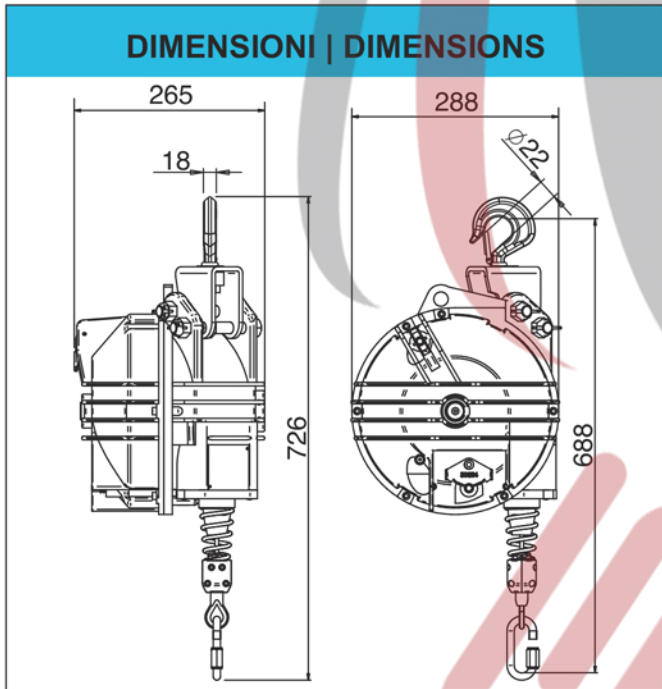
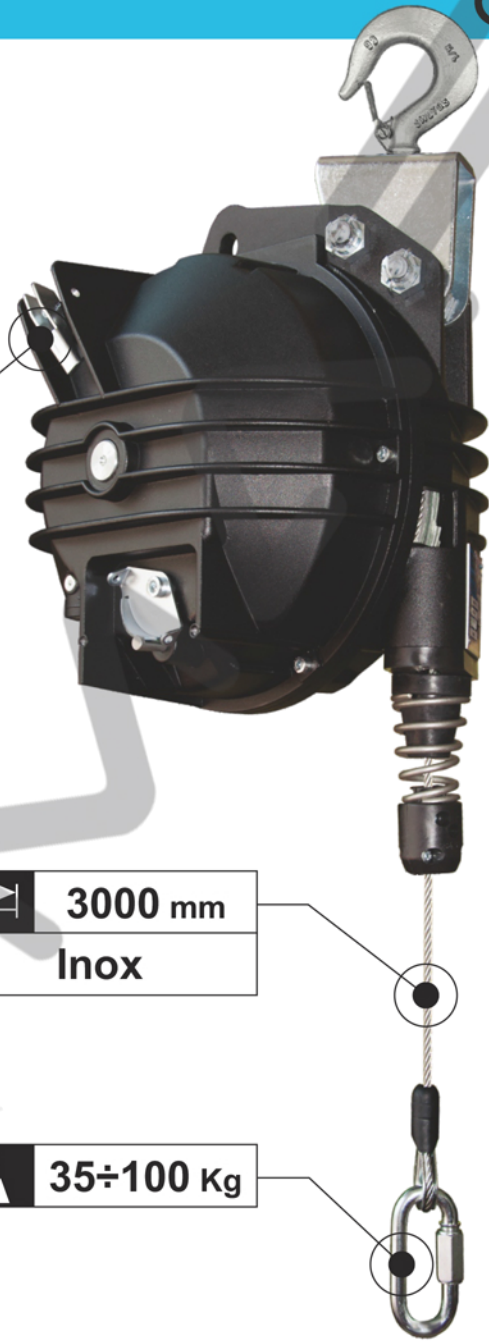


# X-HEAVY

## Bilanciatore Balancer

CE MADE IN ITALY

7



3000 mm  
Inox

35÷100 Kg

ART. ITEM	Kg	mm	Kg
X-HEAVY 45	35÷45	3000	24.46
X-HEAVY 50	40÷50	3000	23.65
X-HEAVY 60	50÷60	3000	24.69
X-HEAVY 70	60÷70	3000	25.56
X-HEAVY 80	70÷80	3000	26.75
X-HEAVY 90	80÷90	3000	27.90
X-HEAVY 100	80÷100	3000	28.46

**DIMENSIONI SCATOLA | DIMENSIONS BOX**

	X-HEAVY 45	X-HEAVY 50	X-HEAVY 60	X-HEAVY 70	X-HEAVY 80	X-HEAVY 90	X-HEAVY 100
kg	27.50	26.60	27.60	28.50	29.70	30.80	31.40
mm	600x320x330	600x320x330	600x320x330	600x320x330	600x320x330	600x320x330	600x320x330

# X-HEAVY

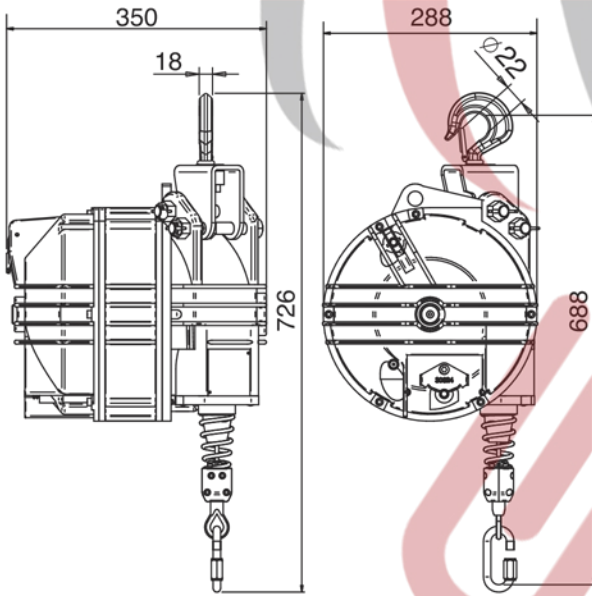
## Bilanciatore Balancer

CE MADE IN ITALY

8



### DIMENSIONI | DIMENSIONS






3000 mm  
Inox

100÷180 Kg

ART. ITEM	Kg	mm	Kg
X-HEAVY 115	100÷115	3000	36.61
X-HEAVY 130	115÷130	3000	36.77
X-HEAVY 140	130÷140	3000	38.51
X-HEAVY 150	140÷150	3000	38.83
X-HEAVY 160	150÷160	3000	40.90
X-HEAVY 180	160÷180	3000	43.20

### DIMENSIONI SCATOLA | DIMENSIONS BOX

	X-HEAVY 115	X-HEAVY 130	X-HEAVY 140	X-HEAVY 150	X-HEAVY 160	X-HEAVY 180
kg	40.00	40.10	41.90	42.20	44.30	46.60
mm	600x320x420	600x320x420	600x320x420	600x320x420	600x320x420	600x320x420

	X-LIGHT	LIGHT	LIGHT	MEDIUM	HEAVY	X-HEAVY	X-HEAVY	X-HEAVY	
	1	2	3	4	5	6	7	8	
kg	0,2÷3	2÷8	8÷12	4÷25	10÷75	15÷35	35÷100	100÷180	
mm	2500	2500	2500	2000	2000	3000	3000	3000	
●									Costruzione robusta in Nylon Rugged construction, Nylon body
		●	●						Costruzione robusta in lega di alluminio Rugged construction, cast aluminium body
				●	●	●	●	●	Esecuzione chiusa e nervata in lega di alluminio Ribbed and sealed construction in aluminium alloy
●	●	●	●	●	●	●	●	●	Fune acciaio inox Stainless steel rope
●	●	●							Portata registrabile Adjustable capacity
				●	●	●	●	●	Portata regolabile con vite senza fine Adjustable capacity by means of a worm screw
●	●	●	●	●	●	●	●	●	Sospensione di sicurezza Safety suspension
		●	●	●	●	●	●	●	Cinematismo di sicurezza che blocca la caduta del carico in caso di rottura della molla (portata >3kg) Safety device against load dropping due to the spring breakage (capacity >3kg)
					●	●	●	●	Sicurezza centrifuga Centrifugal safety device
				●	●	●	●	●	Sospensione superiore rotante con gancio di sicurezza Upper rotary suspension with safety hook
				●	●	●	●	●	Dispositivo per bloccare il carico a qualunque altezza Locking device to block the load at any height
●	●	●	●	●	●	●	●	●	Limitatore registrabile della corsa Adjustable stroke limiting device
				●	●	●	●	●	Tamburo conico rotante su cuscinetti a sfera Taper drum rotating on ball bearings
●	●	●	●	●	●	●	●	●	Guida del cavo in materiale antifrizione Cable guide in antifriction material
				●	●	●	●	●	Gancio rotante con cuscinetto a sfere Rotary upper hook with ball bearing
						●	●	●	Gancio allineabile Lining up upper hook
						●	●	●	Fune visibile per ispezione Visible cable for inspection
●	●	●	●	●	●	●	●	●	Pacco molla Inert spring drum assembly
●	●	●							Radancia in poliammide Polyamides thimble

A RICHIESTA OPZIONI B-RI | ON REQUEST OPTIONS B-RI

					●	●	●	●	RI: Dispositivo di sospensione con rotazione isolato RI: Rotary insulated hook
					●	●	●	●	B: Dispositivo di comando dal basso per bloccare e sbloccare il carico B: Locking-unlocking device with control from the floor

# Balancing your job



**Sede Legale - Uffici - Produzione Linea Industriale - Spedizioni**

**Registered office, offices, industrial production and shipments**

**Via Meucci, 27 | Castel San Pietro Terme | GPS N44° 24' 24" - E11° 35' 13"**

**Stabilimento di Produzione Linea Bilanciatori**

**Balancerris line production factory**

**Via Miglioli, 36 | Castel San Pietro Terme | GPS N44° 24' 18" - E11° 34' 44"**



**Stabilimento di Produzione Linea Industriale e Linea Professionale**

**Industrial and professional production factory**

**Via Grieco, 25/27 | Castel San Pietro Terme | GPS N44° 24' 18" - E11° 34' 44"**